

Installation instructions for PZ4AL-03488-00, PZ4AL-03489-00
Under Run Protective Shield Fuel Tank

TOYOTA Fortuner



Fortuner

2017-

GUN156L-STTMH
GUN156L-STTSH
TGN156L-STTSKK
TGN156L-STMLKK

Model year:

Applicability:

Part Number:

Steel: PZ4AL-03488-00
Aluminium: PZ4AL-03489-00



Weight:

Steel: 8.76 kg
Aluminium: 6.05 kg

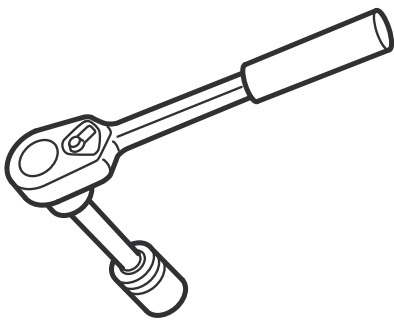
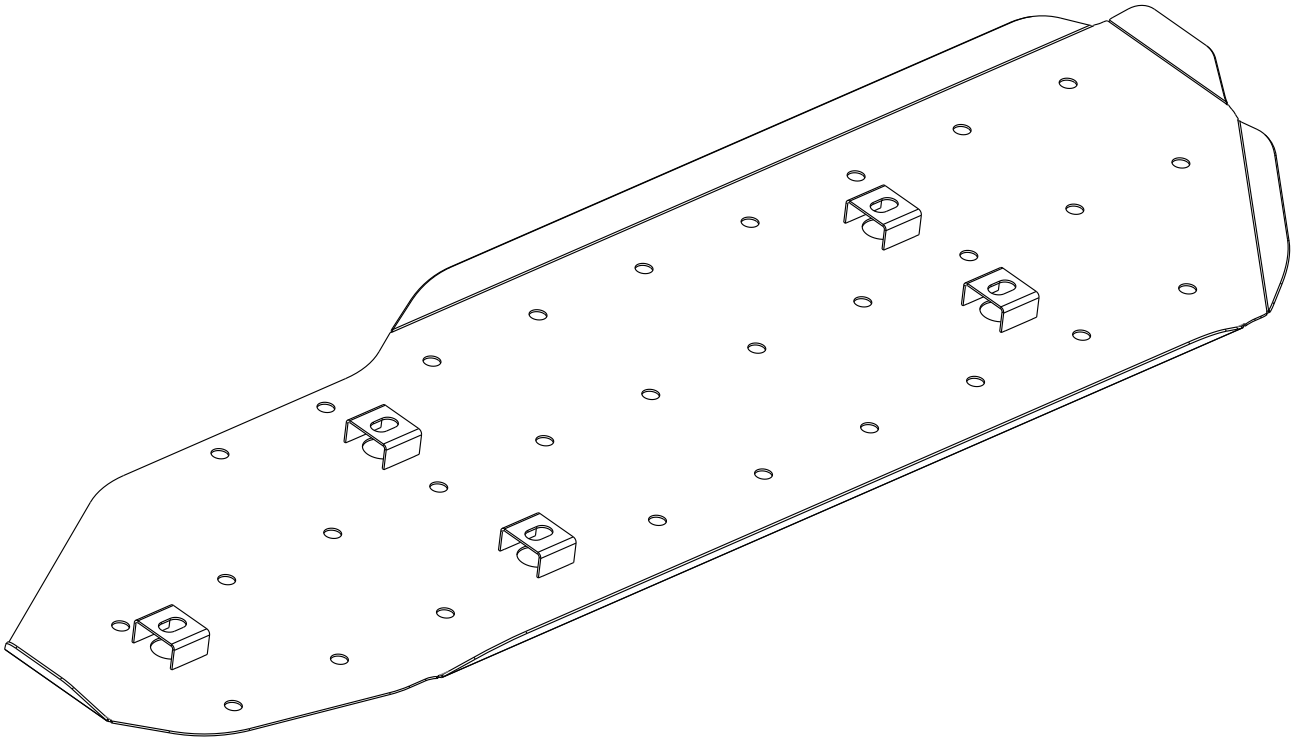


Installation Time:

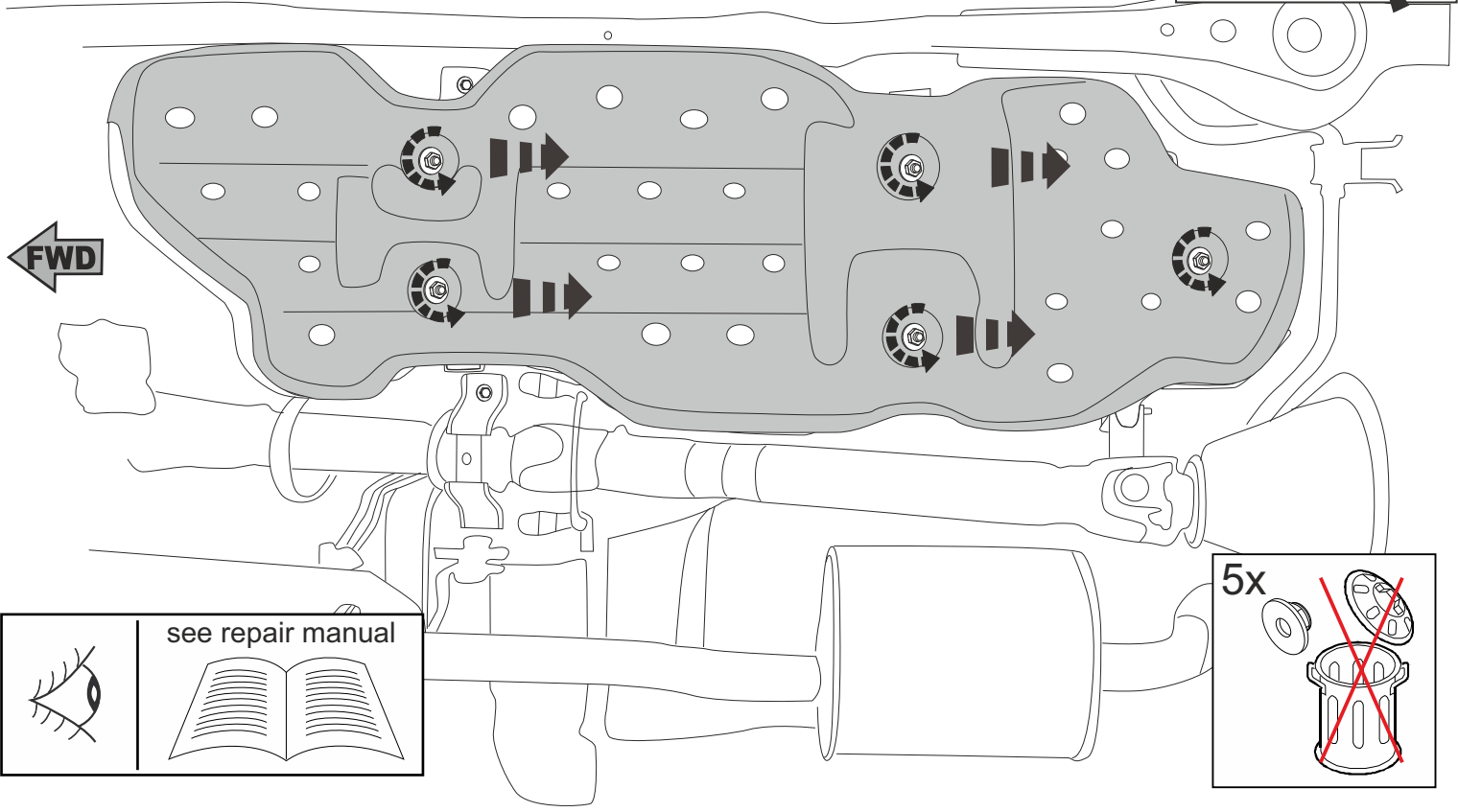
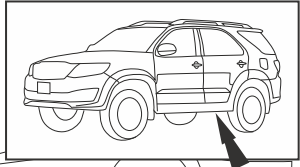
30 min

Rev.2 27.10.2017

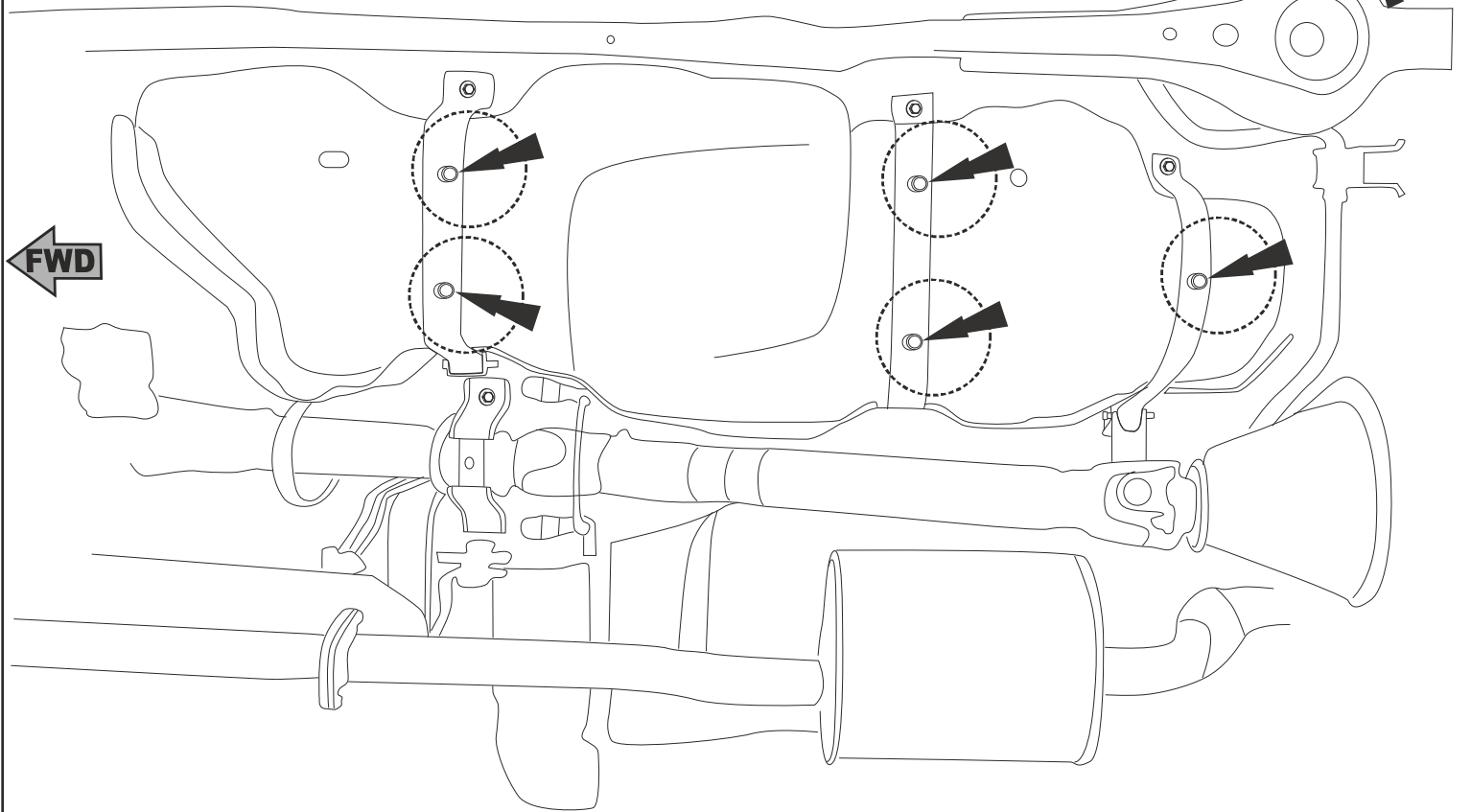
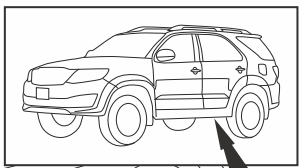
A



1

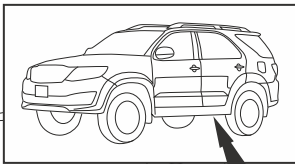


2

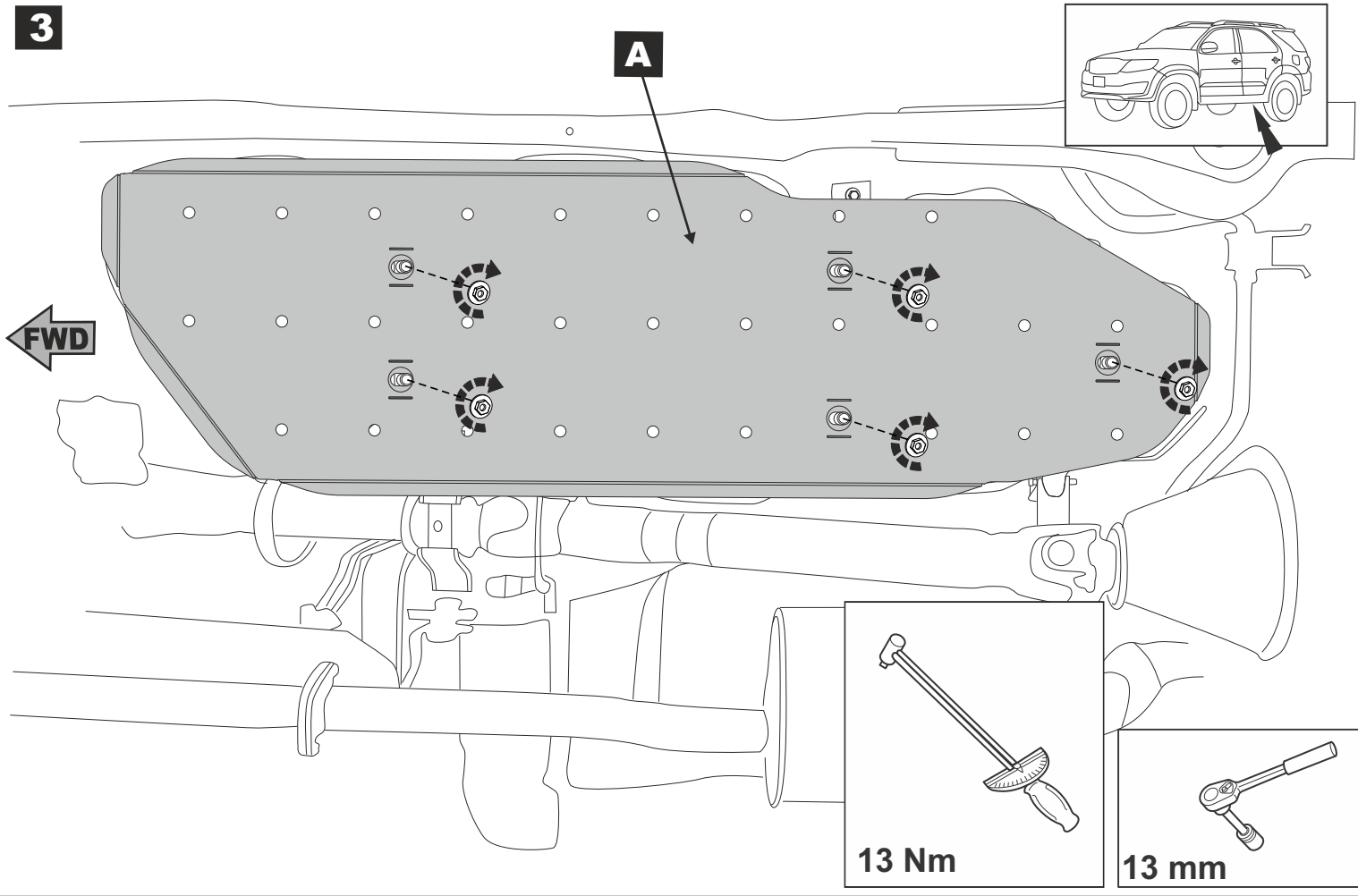


3

A



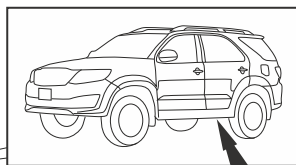
FWD



13 Nm

13 mm

4



FWD

